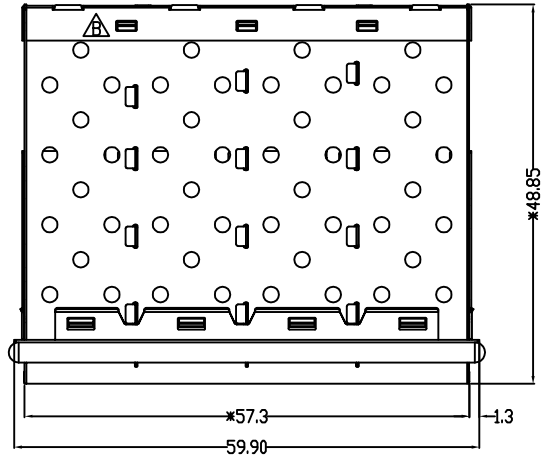


Customer Drawings

REV. 版本	ECN NO. 变更说明	DATE 日期
A	SEE MARK	20130408
B	Issued drawing	20150106
C	Issued drawing	20150109

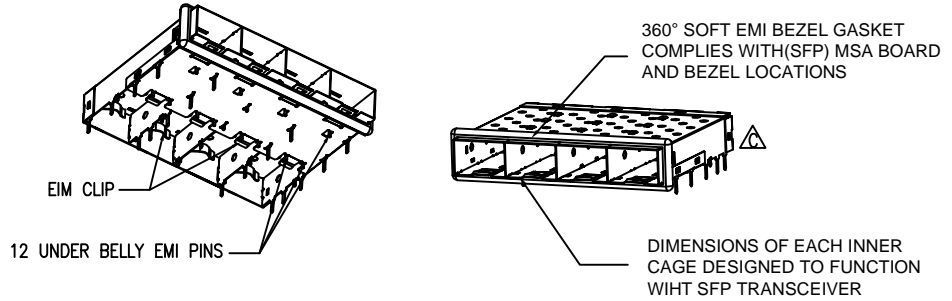
A

A



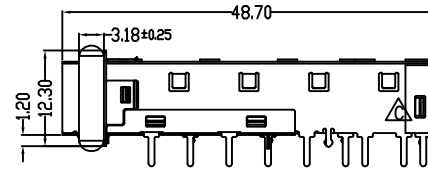
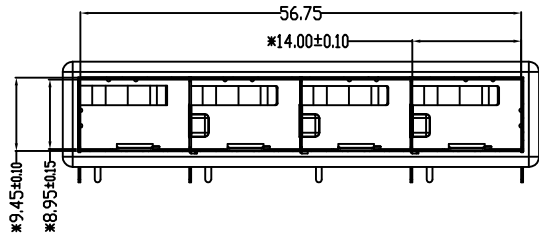
B

B



C

C



NOTE:

1, DESCRIPTION	Q'ty	MATERIAL	PLATING
SFP TOP CAGE (Non-Logo)	1PCS	COPPER ALLOY T=0.25	NI FOR ALL
SFP BOTTOM CAGE (Non-Logo)	1PCS	COPPER ALLOY T=0.25	NI FOR ALL
SFP MID CAGE (Non-Logo)	3PCS	COPPER ALLOY T=0.25	NI FOR ALL
SFP BACK CAGE (Logo)	1PCS	COPPER ALLOY T=0.25	NI FOR ALL
GASKET FLANGE	1PCS	COPPER ALLOY T=0.25	N/A
EMI GASKET	1PCS	PLATED FILLED SILICONE	N/A

2, TEMPERATURE:

OPERATION: -40°C~+85°C
NON OPERATION: -55°C~+105°C

PART NUMBER	DESCRIPTION
10701214W001	SFP 1X4 CAGE WITH GASKET NICKLE PLATING(30u"Min)

D

D

RoHS Compliant

CZT 温州意华接插件股份有限公司 WENZHOU YIHUA CONNECTOR CO.,LTD		TOLERANCES 公差 .0 ± 0.25 .00 ± 0.20 .000 ± 0.15 ANGLES ± 0.5		Material: 材质 SEE NOTE	Designed: 设计 Li bin	NAME: 名称	SFP 1X4 CAGE WITH GASKET
Finish: 电镀 SEE NOTE		SHEET 1 OF 2 第 1 页 共 2 页		Checked: 审核 Nancy Hu	Approved: 核准 Sherman.cai	DWG NO: 图号	ESFP-031-01-C
第三视角	A4 SIZE	SCALE 比例 1:1	UNIT 单位 mm	CUSTOMER: 客户 N/A	MODEL NO: 料号 N/A	PART NO: 料号	SEE TABLE

REV. 版本

C

1

2

3

4